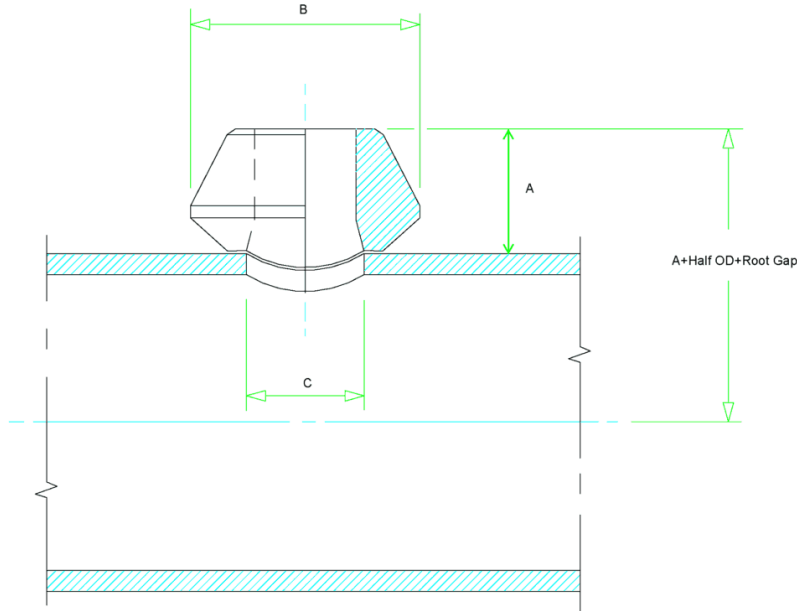




## WELDOLET DIMENSIONS



Schedule STD					
Size	Size in mm	Height A	OD - B	Hole Dia C	Weight in KG
1/4	8	14.3	25.4	15.9	0.04
3/8	10	19.05	31.75	19.05	0.07
1/2	15	19.05	34.93	23.81	0.08
3/4	20	22.23	44.45	30.16	0.11
1	25	26.99	53.98	36.51	0.23
1 1/4	32	31.75	65.09	44.45	0.36
1 1/2	40	33.34	73.03	50.8	0.45
2	50	38.1	88.9	65.09	0.79
2 1/2	65	41.28	103.19	76.2	1.13
3	80	44.45	122.24	93.66	1.81
3 1/2	90	47.63	142.88	112.71	2.5
4	100	50.8	152.4	120.65	2.86
5	130	57.15	179.3	141.29	4.65
6	150	60.33	215.9	169.86	6.44
8	200	69.85	263.53	220.66	10.66



10	250	77.79	322.26	274.64	17.69
12	300	85.73	377.83	325.44	26.76
14	350	88.9	409.58	357.19	29.94
16	400	93.6	463.55	407.99	34.02
18	450	96.84	520.7	458.79	44
20	500	101.6	571.5	508	53.52
24	600	144.5	717.5	609.6	101
26	650	155.6	778	660.4	120
30	750	174.6	893.6	762	190
36	900	206.4	1070	914.4	310
40	1000	225.4	1187.6	1016	435
42	1050	235	1244.6	1066.8	540
48	1200	241.3	1404	1219.2	750
<b>Schedule XS</b>					
<b>Size</b>	<b>Size in mm</b>	<b>Height – A</b>	<b>OD – B</b>	<b>Hole Dia – C</b>	<b>Weight in KG</b>
1/4	8	N/A	25.4	15.88	0.05
3/8	10	N/A	31.75	19.05	0.07
1/2	15	19.05	34.93	23.81	0.09
3/4	20	22.23	44.45	30.16	0.14
1	25	26.99	53.98	36.51	0.21
1 1/4	32	31.75	65.09	44.45	0.41
1 1/2	40	33.34	73.03	50.8	0.5
2	50	38.1	88.9	65.09	0.79
2 1/2	65	41.28	103.19	76.2	1.18
3	80	44.45	122.24	93.66	1.86
3 1/2	90	47.63	136.53	112.71	2.54
4	100	50.8	152.4	120.65	2.9
6	150	77.79	225.43	169.86	10.43
8	200	98.43	292.1	220.66	16.78
10	250	93.66	323.85	265.11	20.87
12	300	103.1	379.41	317.5	27.67
14	350	100.01	431.8	350.84	31.75
16	400	106.36	466.73	403.23	46.27
18	450	111.13	523.88	455.61	58.97
20	500	119.06	582.61	509.59	71.67



24	600	152.4	722.2	609.6	142
26	650	165.1	782.6	660.4	168
30	750	181	896.8	762	218
36	900	212.7	1074.4	914.4	404
40	1000	235	1194	1016	582
42	1050	244.5	1250.8	1066.8	590
48	1200	273	1425.6	1219.2	910
<b>Schedule XXS</b>					
<b>Size</b>	<b>Size in mm</b>	<b>Height – A</b>	<b>OD – B</b>	<b>Hole Dia – C</b>	<b>Weight in KG</b>
1/2	15	28.58	34.93	14.29	0.11
3/4	20	31.75	44.45	19.05	0.32
1	25	38.1	50.8	25.4	0.38
1 1/4	32	44.45	61.91	33.34	0.57
1 1/2	40	50.8	69.85	38.1	0.79
2	50	55.56	80.96	42.86	0.97
2 1/2	65	61.91	96.84	53.98	1.53
3	80	73.03	120.65	73.03	2.87
4	100	84.14	152.4	98.43	4.76
5	130	93.66	187.33	122.24	6.46
6	150	104.78	220.66	146.05	12.7
8	200	111.12	284.16	173.04	20.41
10	250	125.41	312.74	215.9	38.56
<b>Schedule 160</b>					
<b>Size</b>	<b>Size in mm</b>	<b>Height – A</b>	<b>OD – B</b>	<b>Hole Dia – C</b>	<b>Weight in KG</b>
1/2	15	28.58	34.93	14.29	0.11
3/4	20	31.75	44.45	19.05	0.32
1	25	38.1	50.8	25.4	0.38
1 1/4	32	44.45	61.91	33.34	0.57
1 1/2	40	50.8	69.85	38.1	0.79
2	50	55.56	80.96	42.86	0.97
2 1/2	65	61.91	96.84	53.98	1.53
3	80	73.03	120.65	73.03	2.87
4	100	84.14	152.4	98.43	4.76
5	130	93.66	187.33	122.24	6.46
6	150	104.78	220.66	146.05	12.7



**TESCO**  
STEEL & ENGINEERING

**Exporter, Stockist and Manufacturer of:** Pipe Fittings, Pipes/Tubes, Plates, Heavy Shafts, Coils in Stainless Steel, Duplex Steel, Alloy Steel and other Ferrous/Non-Ferrous metal.

---

8	200	111.12	284.16	173.04	20.41
10	250	125.41	312.74	215.9	38.56
All Dimensions are in mm					

- Design as per MSS SP-97
- Weldolet<sup>®</sup> is a registered name. Another often used name is Welding Outlet.