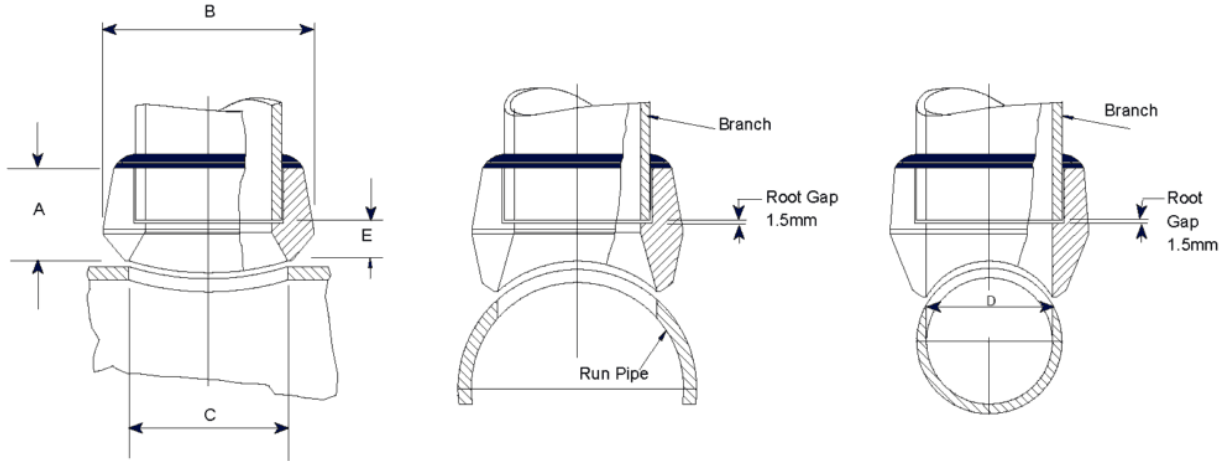




SOCKOLET DIMENSIONS



| Size in Inches | A | B | C | D | E | Weight in KG |
|--------------------------------|-------|--------|--------|--------|-------|--------------|
| Class 3000 | | | | | | |
| 1/8 | 19.05 | 25.40 | 15.88 | 6.83 | 7.14 | 0.05 |
| 1/4 | 19.05 | 25.40 | 15.88 | 9.25 | 7.14 | 0.05 |
| 3/8 | 20.64 | 31.75 | 19.05 | 12.52 | 11.11 | 0.09 |
| 1/2 | 25.40 | 35.72 | 23.02 | 15.80 | 14.29 | 0.14 |
| 3/4 | 26.99 | 43.66 | 29.37 | 20.93 | 14.29 | 0.16 |
| 1 | 33.34 | 50.80 | 36.51 | 26.64 | 19.84 | 0.27 |
| 1 1/4 | 33.34 | 65.09 | 44.45 | 35.05 | 19.05 | 0.39 |
| 1 1/2 | 34.93 | 72.23 | 50.80 | 40.89 | 19.05 | 0.45 |
| 2 | 38.10 | 88.11 | 65.09 | 52.50 | 20.64 | 0.73 |
| 2 1/2 | 39.69 | 103.19 | 76.20 | 62.71 | 19.05 | 1.25 |
| 3 | 44.45 | 122.24 | 93.66 | 77.93 | 23.81 | 1.72 |
| 3 1/2 | 53.98 | 132.56 | 101.60 | 90.12 | 25.40 | 1.95 |
| 4 | 47.63 | 151.61 | 120.65 | 102.26 | 26.99 | 3.29 |
| 5 | 66.68 | 185.74 | 141.29 | 128.19 | 34.13 | 5.44 |
| 6 | 69.85 | 219.08 | 169.86 | 154.05 | 35.72 | 6.58 |
| Size in Inches | A | B | C | D | E | Weight in KG |
| Class 6000 | | | | | | |
| 1/2 | 31.75 | 43.66 | 19.05 | 11.84 | 22.23 | 0.23 |
| 3/4 | 36.51 | 49.61 | 25.40 | 15.60 | 22.23 | 0.36 |
| 1 | 39.69 | 61.91 | 33.34 | 20.70 | 23.81 | 0.59 |
| 1 1/4 | 41.28 | 69.06 | 38.10 | 29.46 | 20.64 | 0.73 |
| 1 1/2 | 42.86 | 82.55 | 49.21 | 33.99 | 22.23 | 0.91 |
| 2 | 52.39 | 102.39 | 69.85 | 42.90 | 30.16 | 2.34 |
| Size on Size Class 3000 | | | | | | |
| Size in Inches | A | B | C | D | E | Weight in KG |
| 1/2 | 25.40 | 34.93 | 23.81 | 15.80 | 13.49 | 0.07 |
| 3/4 | 26.99 | 41.28 | 30.16 | 20.93 | 11.91 | 0.11 |
| 1 | 33.34 | 50.80 | 36.51 | 26.64 | 18.26 | 0.20 |
| 1 1/4 | 33.34 | 60.33 | 44.45 | 35.05 | 14.29 | 0.29 |
| 1 1/2 | 34.93 | 73.03 | 50.80 | 40.89 | 16.67 | 0.39 |
| 2 | 38.10 | 88.90 | 65.09 | 52.50 | 23.81 | 0.64 |
| 2 1/2 | 39.69 | 103.19 | 76.20 | 62.71 | 19.05 | 1.02 |
| 3 | 44.45 | 122.24 | 93.66 | 77.93 | 23.81 | 1.70 |



TESCO
STEEL & ENGINEERING

Exporter, Stockist and Manufacturer of:
Pipe Fittings, Pipes/Tubes, Plates, Heavy
Shafts, Coils in Stainless Steel, Duplex
Steel, Alloy Steel and other Ferrous/Non-
Ferrous metal.

| | | | | | | |
|--------------------------|-------|--------|--------|--------|-------|------|
| 3 1/2 | 42.86 | 136.53 | 112.71 | 90.12 | 17.46 | 1.95 |
| 4 | 47.63 | 153.99 | 120.65 | 102.26 | 26.99 | 2.99 |
| 5 | 61.91 | 184.15 | 133.35 | 128.19 | 25.40 | 4.08 |
| 6 | 68.26 | 220.66 | 153.99 | 154.05 | 30.16 | 7.03 |
| All Dimensions are in mm | | | | | | |

- Socket dimensions are in accordance with ASME B16.11. Design as per MSS SP-97.
- Sockolet[®] is a registered name. Another often used name is Socket Weld Outlet.